



gluing starts here



PIZZI

Systems and solutions for manual application of cold glues and adhesives.

Real added value and everything from a single source!

PIZZI 1977

Application of water-based glues and adhesives.

Water-based adhesives, commonly known as white glues, wood glues.

White wood adhesives (PVAc, polyvinyl acetate in water dispersion), or also water-based adhesives, adhesives in water dispersion.

Polyvinyl acetate or PVAc, commonly known as vinyl glue, vinyl cement, or also, glue, white glue, wood glue, cold glue, is a polymer obtained by polymerising vinyl acetate.

Available on the market as an emulsion, as an adhesive for porous materials, especially for wood.

White glues have a long tradition in the world of gluing and are broadly used, with a large widespread.

This type of adhesive is water-based.

The bonding effect or bonding strength is physically formed by the evaporation of water.

The formulation of the different white glues and their adhesion characteristics for the purpose of a good bonding are conceived and prepared according to the specific, individual application and the related need.

Areas of application:

Mainly in the wood and furniture industry and thus in the panel, carpentry and joinery industry.

In particular in the gluing of solid wood (windows, doors, frames, staircases etc.), as well as the gluing of veneers and laminates. Assembly, gluing of joints, profiles, frames, cases, furniture.

Recommended viscosity (for the PIZZI systems included in this catalogue):

Brookfield viscosity, 3,000 to 15,000 mPa s, at an operating temperature of 20°C/68° F.





Pressurised tanks for water-based glues and adhesives, white wood glue

Description

PIZZI pressurised tanks allow gluing operations to be completed more quickly, without mess, with less waste and with more precision than working manually with glue bottles and glue tubes.

Los depósitos de cola presurizados de PIZZI están disponibles en tamaños de 5, 8, 12 y 20 kg y pueden equiparse con 1, 2 o 3 mangueras con pistolas aplicadoras.

The system works by pressurising the tank with compressed air, which causes the adhesive to pass through the hose, glue gun and nozzle.

The adhesive dispensed through the glue gun + nozzle is always ready for use, as soon as the operator requests it.

PIZZI pressurised glue tanks are available in 5, 8, 12 and 20 kg equal to

1.5-, 2.2-, 3.2- and 5.2-gallon capacity and can be equipped with 1, 2 or 3 hoses with applicator guns.

Two types of glue guns are available, the standard straight glue gun (Code 0002) and the aluminium glue gun with anatomical grip (Code 9902).

PIZZI glue guns have a very strong fastening between the glue gun and the nozzle. It is a threaded connection, very strong, which guarantees a hermetic and durable seal over time, watertightness and durability over time, unique advantages of PIZZI, a real added value.

PIZZI gluing systems for white glues guarantee a precise dosage of glue, the right amount of glue, in the right area, covering exactly the desired surface on any component and manual work.

These systems consist of a high-quality pressurised tank, 4 m of reinforced nylon hose, glue gun - with adjustable glue flow - to easily and precisely partialize the glue amount - and standard pointed nozzle.

PIZZI gluing systems are under constant pressure and always ready for use.

Fields of application

Solid wood processing, panel processing, furniture production, prefabrication, joinery, carpentry, mobile use on site.

For edges, surfaces, grooves, joints and profiles, biscuit or dowel joints, mortise-tenon, dado joint, mitered joint, for the joinery, useful for implementing any gluing section or station and for any gluing operation.

A worldwide must



Range: **A8**
Code: **9001**

Pressurized glue tank for PVA/ white wood glue for woodworking

Equipment and features:

- High thickness tank with internal PVC lining
- Thick brass cover with chrome-plated finish
- The cover can be completely opened, as a separate, removable element
- Manometer
- Vent valve
- Safety valve
- Pressure regulation unit
- Inside plastic canister for glue
- 3 m glue hose (Ø 10x16 mm)
- Glue gun with adjustable glue flow and standard pointed nozzle (hole 1.5 mm)
- Side container to keep the glue gun head soaked and sealed into water

Technical specifications:

- Operating pressure: max. 5 bar
- Capacity: 8 l/ 2.2 US gallons

Note:

Our top-selling model.

It can be optionally supplied up to a maximum of 3 independent glue guns, without any drop in glue flow.



Model	Max pressure	Glue capacity	Dimensions *	Weight *
9001	5 bar 75 psi	8 kg 2.2 US gallons	Cm/ 20x20x65 h In/ 11x11x26 h	14 kg 30 lbs

* Packaging included

Moving unit,
with pressurised
glue tank
for PVA glue
- code 9001 -,
on trolley
- code 0057 -.



High quality high thickness tank,
with PVC inner lining and mopen bottom,
this represents a strong anti-corrosion coating
(sides and bottom) of the tank,
very durable.



Completely in stainless steel



Range: **A5**
Code: **8901**

Pressurized glue tank for PVA/ white wood glue for woodworking



Equipment and features:

- High thickness tank totally in stainless steel
- High thickness cover totally in stainless steel
- Tank and lid completely in stainless steel
- Cover can be opened completely, as independent, removable element
- Manometer
- Vent valve
- Safety valve
- Pressure regulation unit
- Inside plastic canister for glue
- 3 m glue hose (Ø 10x16 mm)
- Glue gun with adjustable glue flow and standard pointed nozzle (hole 1.5 mm)
- Side container to keep the glue gun head soaked and sealed into water

Technical specifications:

- Operating pressure: max. 5 bar
- Capacity: 5 l/ 1.5 US gallons

Notes:

Light and easily portable.
Contains perfectly the 5 kg canister of glue, which are available on the market.

It can be optionally supplied up to a maximum of 2 independent glue guns, without any drop in glue flow.

Model	Max pressure	Glue capacity	Dimensions *	Weight *
8901	5 bar 75 psi	5 kg 1.5 US gallons	Cm/ 28x28x52 h In/ 11x11x21 h	11 kg 25 lbs

* Packaging included

Completely in stainless steel



Range: **A12**
Code: **9012**

Pressurized glue tank for PVA/ white wood glue for woodworking



Equipment and features:

- High thickness tank totally in stainless steel
- High thickness cover totally in stainless steel
- Tank and lid completely in stainless steel
- Cover can be opened completely, as independent, removable element
- Manometer
- Vent valve
- Safety valve
- Pressure regulation unit
- Inside plastic canister for glue
- 3 m glue hose (Ø 10x16 mm)
- Glue gun with adjustable glue flow and standard pointed nozzle (hole 1.5 mm)
- Side container to keep the glue gun head soaked and sealed into water

Technical specifications:

- Operating pressure: max. 5 bar
- Capacity: 12 l / 3.2 US gallons

Notes:

**Second best PIZZI model sold.
Ideal capacity with 2 independent glue guns for 2-man operation.**

It can be optionally supplied up to a maximum of 3 independent glue guns, without any drop in glue flow.

Model	Max pressure	Glue capacity	Dimensions *	Weight *
9012	5 bar 75 psi	12 kg 3.2 US gallons	Cm/ 28x28x65 h In/ 11x11x26 h	14 kg 30 lbs

* Packaging included

Completely in stainless steel



Range: **A20**
Code: **9021**

Pressurized glue tank for PVA/ white wood glue for woodworking

Equipment and features:

- High thickness tank totally in stainless steel
- High thickness cover totally in stainless steel
- Tank and lid completely in stainless steel
- Cover can be opened completely, as independent, removable element
- Manometer
- Vent valve
- Safety valve
- Pressure regulation unit
- Inside plastic canister for glue
- 3 m glue hose (Ø 10x16 mm)
- Glue gun with adjustable glue flow and standard pointed nozzle (hole 1.5 mm)
- Side container to keep the glue gun head soaked and sealed into water

Technical specifications:

- Operating pressure: max. 5 bar
- Capacity: 20 l/ 5.2 US gallons

Notes:

For those who need a higher glue capacity, e.g. with 3 glue guns. Or in service of a machine.

It can be optionally supplied up to a maximum of 3 independent glue guns, without any drop in glue flow.

>> In compliance with the directives in force in terms of manual handling of loads, the model 9021 must always be positioned and used on a wheeled cart, available models code 0157.

Model	Max pressure	Glue capacity	Dimensions *	Weight *
9021	5 bar 75 psi	20 kg 5.2 US gallons	Cm/ 28x28x81 h In/ 11x11x32 h	17 kg 35 lbs

* Packaging included

The step further...



easyAPP

Range of pneumatically controlled pressurized systems for metered dispensing of glues and adhesives.

The pneumatic control ensures a constant and regular flow of glue.

The dispensing system applies the glue in adjustable shots and with always precise and punctual impulses. Tank all in stainless steel.

Precise and constant, for those who need to precisely control the glue flow to apply the same amount of glue over and over again.

Dowel holes, drilling – vertical and horizontal –, any kind of grooves, as well as for gluing of frames, window and door construction and wood construction elements.



Range: **easyAPP**

Code: **0165**

Pneumatically controlled pressurised system for metered glue dosing of PVA adhesives and glues.

Equipment and features:

- High thickness tank and lid totally in stainless steel
- Cover can be opened completely, as independent, removable element
- Manometer
- Vent valve
- Safety valve
- Pressure regulation unit
- Inside plastic canister for glue
- Glue gun with anatomical grip with adjustable glue flow and standard pointed nozzle (hole 1.5 mm)
- 3 m glue feeding hose
- Side container to keep the glue gun head soaked and sealed into water

Technical specifications:

- Operating pressure: max. 5 bar
- Capacity: 12 l/ 532 US gallons

Notes:

Glue, wherever you want, however much you want.

Clean, precise, consistent, time-saving.



easyAPP

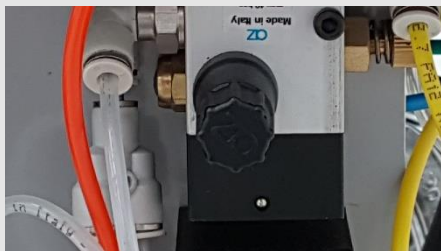
Suitable only for white wood glues, water-based glues (PVAc, polyvinyl acetate in aqueous dispersion), also known as water-based adhesives, water-based adhesives, water-dispersion adhesives, vinyl adhesives.

Suitable only for white wood glues, also known as water-based glues (PVAc, polyvinyl acetate aqueous dispersion), water-based adhesives, aqueous dispersion adhesives, vinyl adhesives.

Options.

This glue dispensing system can be optionally supplied with:

- up to a maximum of 2 independent glue guns, for 2-person operation, without any drop in glue flow.
- Dual function system for glue application in (1) manual mode with continuous flow and (2) metered glue flow mode.
- Glue tank with capacity of 20 kg/ 5.2 US gallons.

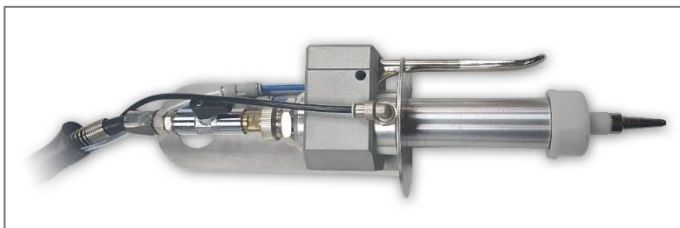


Pneumatic timer
Glue gun time setting which controls the dispensing time of the glue.



2-functions switch
(1) Continuous glue flow, manual mode;
(2) Metered glue dosing.





Glue application gun 165V






For applications where it is necessary to apply glue along the length (longitudinally) of wooden parts, a second glue gun version is available, suitable, for example, for dispensing glue on beams, wooden slats with ad-hoc spatulas or cylindrical nozzles, or for applying glue in grooves with the suitable groove nozzle in a vertical movement, e.g. on mortises and the likes of.

**For professional and efficient production,
cost-effective, clean and waste-free.**

PIZZI glue guns, standard universal pointed nozzle and its corresponding nozzle guide

	
<p>0002 _ Glue gun with adjustable glue flow and universal standard pointed nozzle (1.5 mm hole).</p>	<p>0002 _ Glue gun with anatomic grip, adjustable flow and standard pointed nozzle (1.5 mm hole).</p>
	
<p>0003 _ Standard universal pointed nozzle (1.5 mm hole).</p>	<p>0059 _ Guide for standard universal pointed nozzle.</p>

Panel processing, furniture processing, drillings and dowel holes

		
<p>Nozzle for dowel holes 0004 _ 6x20 mm 0005 _ 8x25 mm 0006 _ 10x30 mm 0007 _ 12x40 mm</p>	<p>Nozzle for dual dowel holes 0008 _ 6x20 mm 0009 _ 8x25 mm 0010 _ 10x30 mm 0011 _ 12x40 mm</p>	<p>Nozzle for triple dowel holes 0012 _ 6x20 mm 0013 _ 8x25 mm 0014 _ 10x30 mm 0015 _ 12x40 mm</p>

**To work better, easily, professionally and efficiently,
 cost-effectively, clean, waste-free and time-saving.**



Processing of panels, cabinets, grooves, edges, biscuit joints, mitred assembly

<p>Nozzle for grooves 0024 _ 4x30 mm 0025 _ 5x30 mm 0026 _ 6x30 mm 0027 _ 8x30 mm 0028 _ 10x30 mm</p>	<p>Adjustable nozzle for edges 0016 _ adjustable 10/30 mm 0017 _ adjustable 20/40 mm 9918 _ adjustable 40/60 mm</p>	<p>Nozzle for biscuits 0054</p>

Specific nozzles for surfaces, surface repairs, brushes.

Nozzles of different sizes for the manufacture of chairs, tables, baby and children's cots.

Festool DOMINO joint.

Application of glues and adhesives on surfaces, on panels, slats, wooden slats, beams, floorboards, with adjustable dosing cylinders and dosing cylinders with rubber rollers.

<p>Repair nozzle crescent-shaped 0154</p>	<p>Round nozzle for repairs 0105 _ Ø 10 0106 _ Ø 15 0107 _ Ø 20 0108 _ Ø 25 0109 _ Ø 30</p>	<p>Brush nozzle 0045 _ Ø 10 0046 _ Ø 25 0047 _ Ø 36 0048 _ Ø 40 0045 _ rectangular 60x20</p>
<p>Nozzle for slots and DOMINO 0118 _ 20 mm slot 0119 _ 30 mm slot 0120 _ 40 mm slot 0121 _ 50 mm slot</p>	<p>Adjustable glue dispensing cylinder 0031 _ 72 mm 0032 _ 120 mm 0033 _ 180 mm</p>	<p>Adjustable glue dispensing cylinder with rubber roller 0034 _ 72 mm 0035 _ 120 mm 0036 _ 180 mm</p>

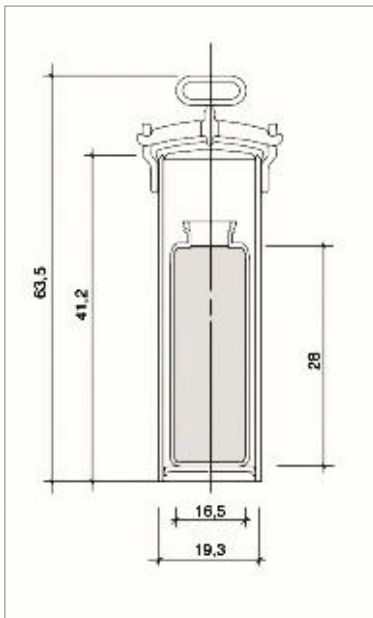
**To work better, easily, professionally and efficiently,
 cost-effectively, clean, waste-free and time-saving.**



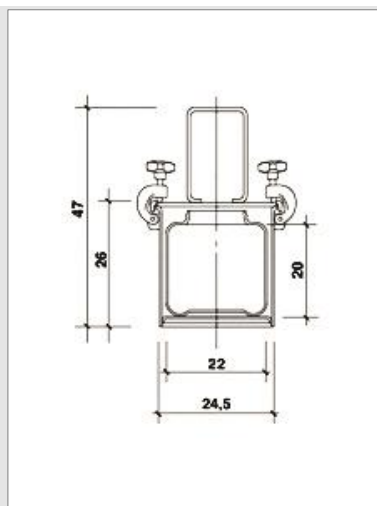
Kit 0065 + 0067

- (A) 0065 _ Supporting plate kit, with pneumatic glue nozzle 0080
(as standard supplied with universal pointed universal nozzle, code 0003)
- +
- (B) 0067 _ Pedal with pneumatic control with hoses and connections

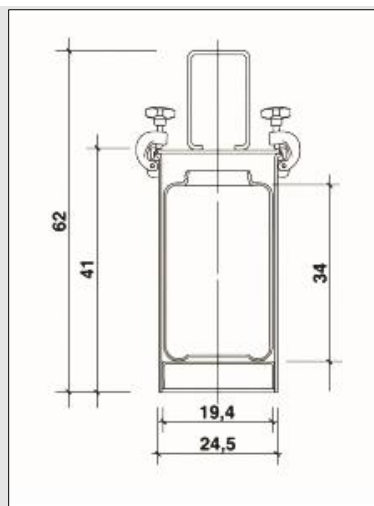
Dimensions in summary



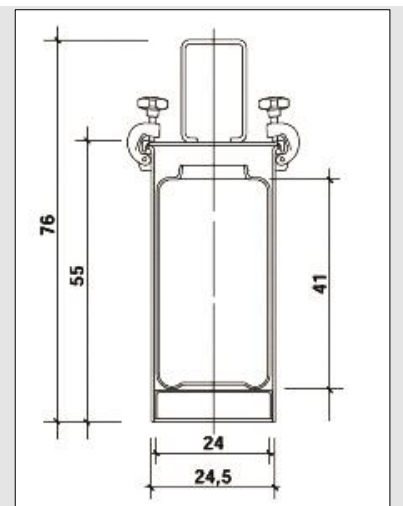
Range _ **A8**



Stainless steel range _ **A5**



Stainless steel range _ **A12**



Stainless steel range _ **A20**



Benefits

Fast, precise, adjustable and clean glue application without the need for cleaning.
High-quality system that guarantees a long service life.
Complete system, always ready for use, freely expandable and modular, easily transportable.
Cost-effective, user-friendly, safe and professional gluing system.
Each air charge is sufficient to allow the entire glue volume to be emptied, even over a long period of time.
Easy and clean working, reduced working time, significant glue savings and improved quality as well as better bonding of the glued workpiece.
All nozzles are interchangeable, easy and quick to attach to the glue gun head, with a robust threaded coupling.
All PIZZI pressurised glue tanks are easily transportable.

A smart range of solutions for the application of PVA, water-based adhesives.

Each PIZZI pressurised glue tank can be equipped with up to (3) three glue guns without having to deal with any pressure drop and with a wide range of standard nozzles and accessories. Again, even in the presence of 3 glue guns, the glue flow remains unchanged and constant for each individual glue gun.
Custom nozzles can be manufactured to any specification.
Special customised nozzles can be shaped and supplied within a very reasonable delivery time;
All nozzles are interchangeable and compatible with standard glue guns, standard nozzles and any other custom-made special nozzles.
When the maximum allowable pressure of 5 bar/ 75 psi is reached, the filled air volume is sufficient to fully dispense the entire contained glue volume, without requiring further air refills and without any pressure drop or lacking of glue push during dispensing and application.
The glue flow thrust always remains constant from 5 to 0 bar/ 75 to 0 psi. When the pressure gauge indicates "0" bar internal pressure, it means that the tank is empty, the glue has run out and therefore it is necessary to refill it with another glue.
Glue can be left in the system if it is kept under pressure.
Water container for the glue gun on the side of the tank to avoid drying of the glue in the glue gun head, which has which must always remain soaked and thus sealed into water.
Two types of tanks are available, one 8 kg tank in high quality steel and 3 all stainless steel, capacity 5-12-20 kg equal to 1.5-2.2-3.2-5.2 US gallons.
All PIZZI tanks are equipped with an internal plastic canister where to store the glue.





The glue can be dispensed without the need to recharge the pressure. The glue flow through the glue gun is always constant from 5 bar to 1 bar equal to 75 down to 15 psi, i.e. “until the glue in the system is used up and the tank is emptied.”

Only minimal and easy cleaning is required.

This gluing equipment is designed to be used only with PVA glues used in woodworking.

Tips for proper cleaning and maintenance

Daily or weekly cleaning is not necessary, as long as the system remains pressurised with the lid securely fastened and nozzles are kept in their specific container (placed on the side of the tank), the glue does not dry out even for 3-4 months.

To start applying the glue, simply pressurise the glue tank to a maximum pressure of 5 bar / 75 psi and if necessary, change and connect the desired nozzle to the glue dispensing gun.

When you have finished, place the nozzle in its specific glue gun container (located on the side of the tank).

The nozzles can also be easily washed and flushed under the tap, using the nylon tap adapter #0044, supplied as standard with all gluing systems.

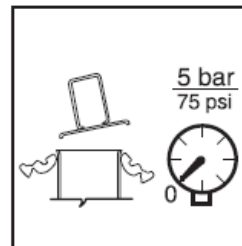
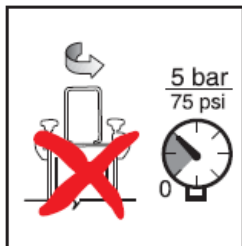
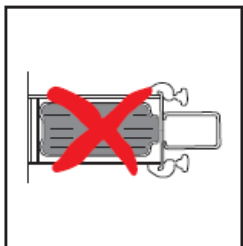
After finishing the gluing job, clean your PIZZI nozzles of any glue residue before it can dry by screwing the nylon adapter #0044 to the tap and screwing the nozzle to be cleaned to the adapter.

This adapter rinses all PIZZI nozzles to keep them in good working order. We recommend this as the easiest and most mess-free way to clean and maintain your PIZZI nozzles.

PIZZI glue applicators can be stored and left for weeks with PVA inside the system, if kept under pressure.

When using D3 and D4 glues - 1 component pre-catalysed (being pre-catalysed are containing particularly acid and corrosive agents) -, it is necessary to check the condition of the filter and the suction pipe on a weekly basis.

Important warnings to be observed!



It is absolutely forbidden to drag the PIZZI pressurised tanks on the ground, without using the appropriate wheeled cart, to avoid damaging the bottom of the glue tank.



solutions unlimited



PIZZI 1977

PIZZI, one system,
unlimited possibilities.
Since 1977,
PIZZI is committed to providing
ever better solutions,
technology and expertise!
Buy the original,
buy the best!

madeinItaly

PGS S.r.l.

Società Unipersonale

REG. TORAME snc

13011 BORGOSIESIA (VC) _ ITALIA

T (+39) 0163 02.80.67-68 _ F (+39) 0163 02.80.69

info@pizzitech.it

pizzitech.it

