

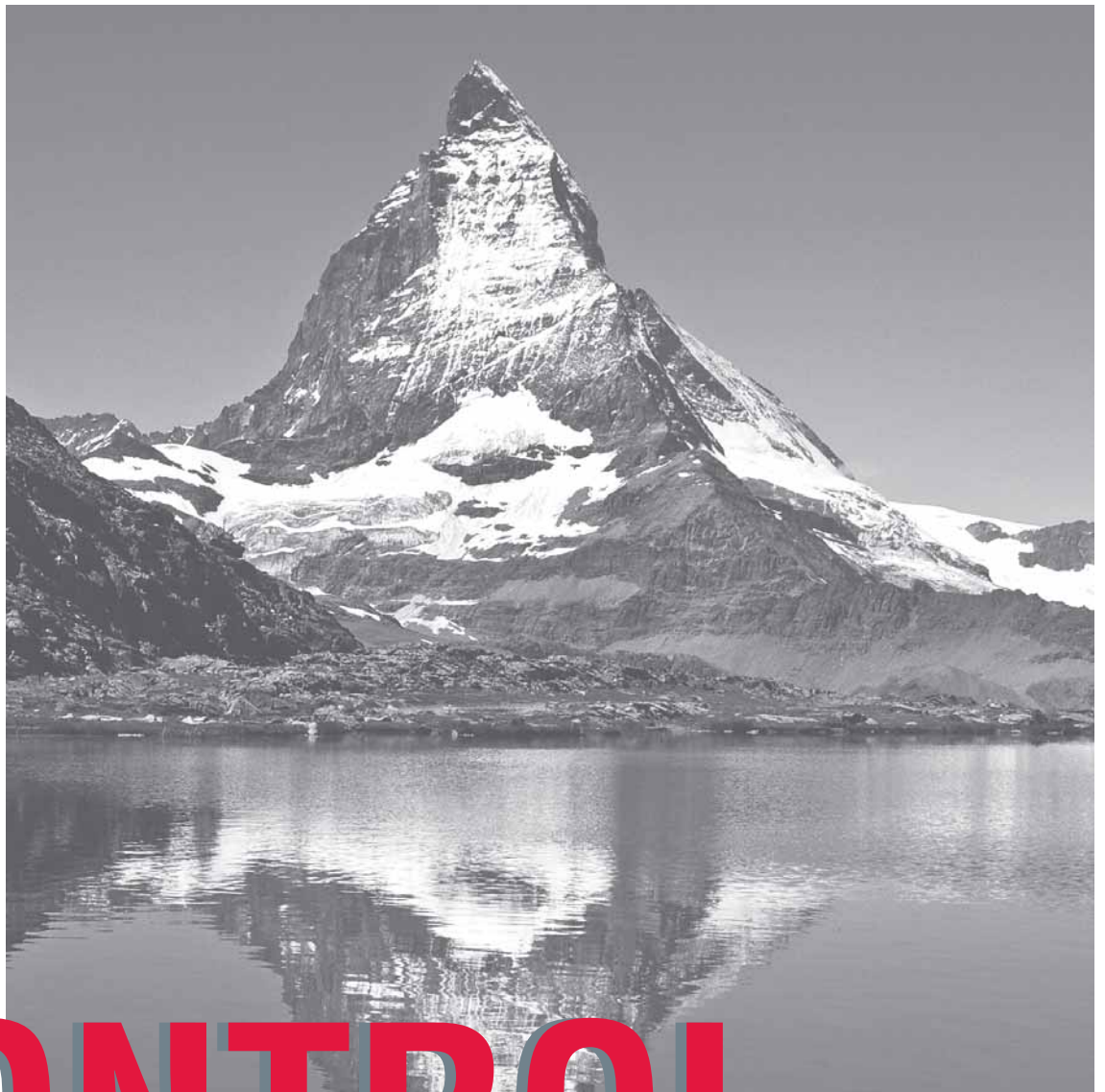
CONTROL

EVOLUTION

STANDARD

COMPACT

■ STRIEBIG ■



CONTROL

Premium Class
Vertical Cutting Center

Creating Sustainable Values

■ Confidence, ability, continuity

We are committed to vertical panel cutting technology and are the only woodworking machine manufacturer anywhere in the world to focus exclusively on a single product category: vertical panel saws. With our wealth of experience, the dedication of our development team and an awareness of your day-to-day requirements, we create lasting values: STRIEBIG, the synonym for vertical panel saws.

During all our activities, we keep a close watch on economic and ecological aspects. Certification has been awarded to our entire company's health management system as well as our environmental management system and our on-the-job safety and health protection system.

Going back decades, our leading market position is the result of your confidence, our consistent "Swiss Made" with optimum product quality and the reliability of our specialist trade partners.



CONTROL



Corporate identity made visible. The vertical aluminium elements of the facade of the company's main office in Littau/Lucerne reflect Striebig's products and its relations with its market partners.

■ Cutting technology meets future

Striebig CONTROL machines have always been in a class of their own – the premium class for vertical sawing technology. However, to maintain this competitive edge, progress never stands still. We have developed the CONTROL into a vertical cutting center of the premium class. Now the sawing process is characterized by a higher degree of automation, and the machine is equipped with additional optional features. Above all, our unique "touch & saw" machine operation has been implemented, which is activated via the innovative programmable control system with its touchscreen panel.

Striebig CONTROL 6224 (illustration contains optional equipment)



Title page: With a height of 4,478 metres, the Matterhorn is one of the highest peaks in the Alps and one of the most famous mountains in the world. The Matterhorn is Switzerland's most famous landmark and the most photographed tourist attraction.

■ **Intelligence meets ergonomics**

There has never been more operational comfort: Touch the panel with your finger tip to operate the CONTROL. The 7.5" color display with touch controls visualizes all functions.



Multilingual user interface and error detection with self-explanatory symbols to guide the user through the menu. Only the functions which can be performed by the saw are displayed. Operating error can therefore be excluded to the greatest possible extent. Should you make a mistake, however, the user interface will offer you assistance.

Externally produced cutting lists can be entered easily and smoothly via the USB port.

■ **Functionality meets comfort**

The entire cutting operation of the CONTROL runs fully automatically. Manual work is a thing of the past. The automatic saw beam locking feature ensures that work can be performed easily and fast.

With pneumatic assistance, the unit plunges fully automatically into the panel. Feed speeds can be infinitely adjusted between 10 and 25m/min, and individually adjusted to the material being sawn. Further characteristic features which are also a matter of course for the premium class include the following: freely selectable sawing cycle, panel end recognition, constant return speed of the saw unit, operating-hour meter and the DMS digital measuring system are standard equipment on both axes.

■ **DMS – every time the correct dimension**



DMS digital measuring system for both axes (standard equipment). Freely selectable display accuracy between 1.0/0.5 and 0.1mm.

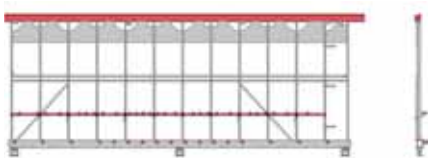


The automatic motor swivel unit is only one of the CONTROL's numerous functions to support fully-automatic sawing operations.

Perfect Equipment, Maximum Precision, Powerful Efficiency

It's simply the premium class: maximum precision during the finish cut, ease of operation and maximum user-friendliness. CONTROL – the vertical panel cutting center.

■ The sawing frame – always solid and precise



- Precision machine parts of the machine manufactured to an accuracy of 1/100mm
- Massive, self-supporting, all welded, twist-free saw frame
- Full-surface support wall of birch plywood with integral small parts support
- Auxiliary stop profile with measuring tape and 3 auxiliary stops for repeat cuts
- Automatic recognition of the central support
- Automatic roller locking during the saw cut

■ Saw beam & saw unit – always the correct cut



- Saw beam
 - Durable steel construction
- Saw unit
 - Smooth-running guides free of play
 - Automated operation for enhanced user-friendliness
 - High cutting precision thanks to sturdy motor carriage mounting
 - Powerful, high-torque 5.5 kW motor (7.5 hp)
 - Electromagnetic motor brake



Laser-assisted indication of the horizontal cut (standard feature)

■ CONTROL – always fully equipped from the start

See for yourself – the CONTROL is supplied with a range of equipment rarely encountered on any other vertical saw.

- DMS digital measuring system (both axes)
- Automatic saw beam locking with cutting point identification
- Laser-assisted indication of the horizontal cut
- Automatic locking and swivelling of the saw unit
- Automatic plunge and withdrawal operation of the saw unit
- Automatic fine calibration of the saw motor
- Fully-automatic sawing process
- Selectable sawing cycle
- Automatic panel end recognition
- Pneumatic coupling for easy change-over to manual operation
- Operating-hour meter
- Technical target concentration extraction system
- Aluminium central support over the full length of the machine
- Super silent sound insulation

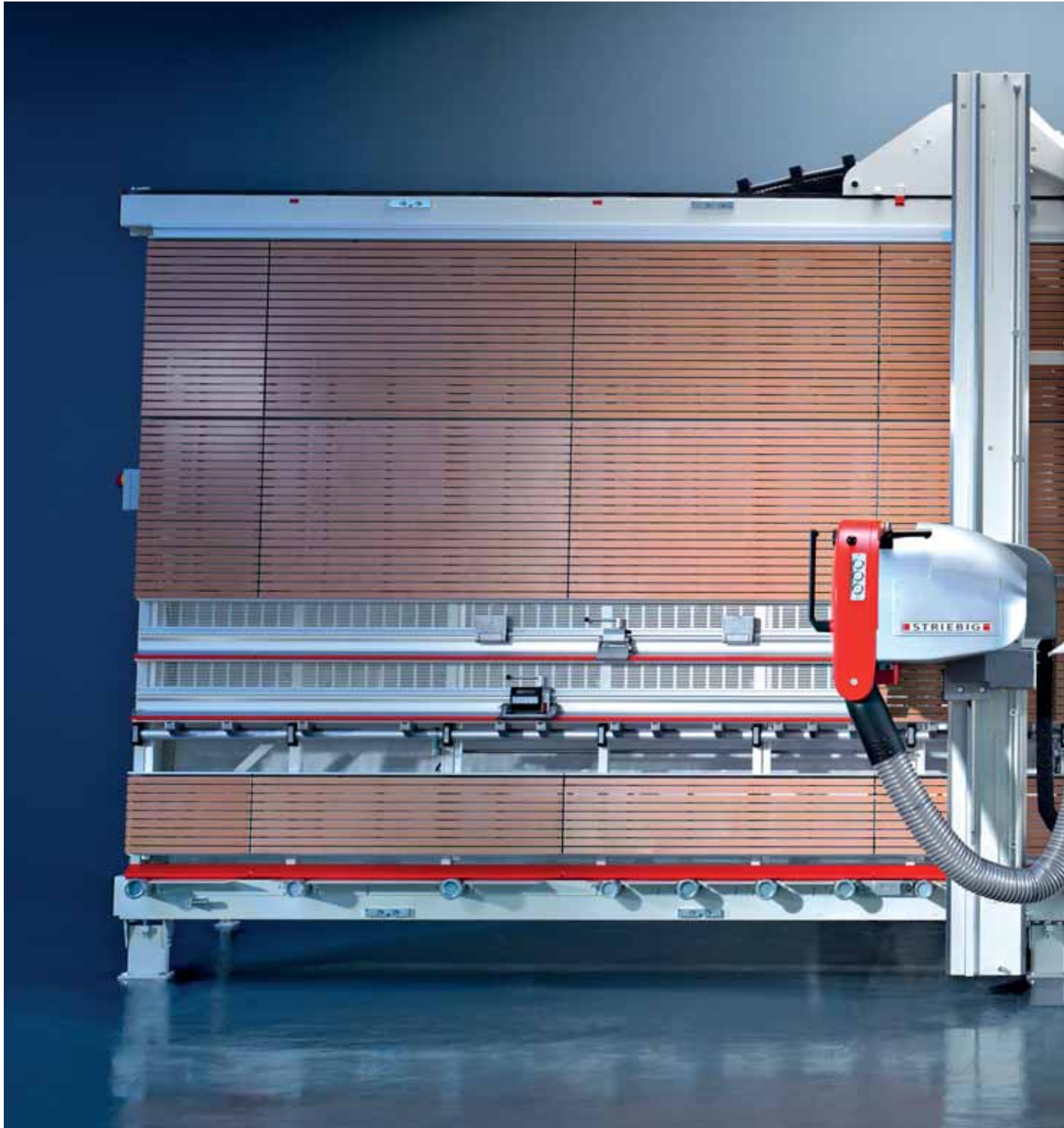


CONTROL

■ Clear signals

Due to its appearance, the CONTROL represents high perceived value. Recipient of many awards for product design (e.g. design preis schweiz, among others), the CONTROL sets itself apart from rival woodworking machines with its functional and user-friendly ergonomics for secure and risk-free operation.

Striebig CONTROL 6224 (illustration contains special equipment)





The best is right in front of you

"Touch & saw" – touch the panel with your finger tip in order to operate each function of the saw. Multilingual user interface and error detection allows the saw to be operated without the slightest effort.

■ One finger tip touch will do

- Visualization and operation via 7.5" touchscreen colour display
- Programmable control system with multilingual user interface and error detection
- Transmission of externally produced Excel cutting lists by means of a USB stick to the touchscreen
- Fully-automatic sawing process
- Infinitely selectable feeding speeds from 10 to 25m/min
- Selectable sawing cycle
- Panel end recognition
- Constant return speed
- Operating-hour meter



■ Intuitive communication

The touchscreen panel always keeps you informed. You can access all operational data at any time. Service or error messages are visually assisted making errors easy to trace and rectify. There is no easier way to communicate with your saw.

The uniqueness of the CONTROL goes far beyond what you may think

Every CONTROL comes comprehensively equipped ex works. Thanks to the wide range of accessories available, the machine is fully adjustable to meet your individual needs. Upon request, special dimensions can be accommodated. Contact us to discuss your requirements.

■ 4SB – the lower trimming cut becomes child's play



The 4SB system performs an automatic lower trimming cut of panels up to 5300mm long and up to 2185mm tall relieving the operator of any physically exhausting work.

■ ABO – the automatic upper trimming cut



ABO, for automatic upper trimming cut is the ideal complement to the 4SB system: 4SB and ABO – the CONTROL is the only machine to combine both features.

■ VSA – for superior quality when sawing laminated panels



Time, cost and tool saving – these are the benefits offered by a VSA scoring saw unit. If larger panel quantities or panels of possibly lower quality are to be processed, the use of a VSA is a "must". This is because the service life of a main saw blade increases seven or even eight times. A scoring saw blade will outlive at least 3 main saw blades.

■ Document holder – documents are always at hand



Securely held – the document holder keeps documents at hand, next to the touchscreen panel.

■ EPS – just enter the dimensions – that's it



Enter the dimensions – that's it. The EPS electronic positioning system is fully integrated into the touchscreen panel. It allows the simple positioning of the horizontal and vertical cutting axis, with an accuracy down to 1/10mm.

■ Central support made of fiber reinforced synthetic materials



"High-end" support grids made of fiber reinforced synthetic material provide special protection for especially sensitive edge materials and postforming edges.



CONTROL

■ **WSG – for close fitting miters**



The WSG angle cutting unit can be applied to the left and right of each vertical intersection point. It's easy and fast to install. Range of application: panels with thicknesses of up to 42mm, precise angles and miters between 0° and 46°.

■ **Grooving and routing – expand your range of services**

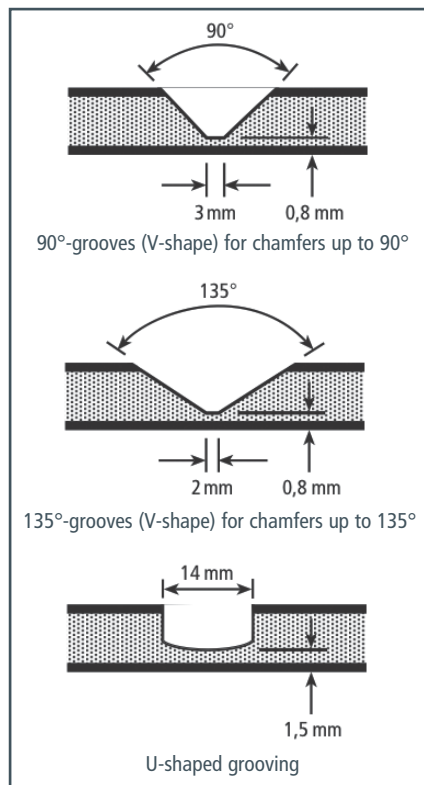


Many jobs require grooving or routing work. The CONTROL can perform such tasks without any problems. You can route or groove timber products and composite panels.

With regard to adjustable grooving tools and composite panel cutters, the CONTROL only requires one depth stop. Any risk of confusion is thus eliminated.



The depth stop is infinitely adjustable using a scalable handwheel (up to 25mm).



■ **SSD – saw motor**

Particularly recommended if different materials are frequently processed: SSD – saw motor with infinitely variable speed.

■ **The range of CONTROL accessories**

- 4SB – Automatic trimming of the lower edge
- ABO – Automatic upper trimming cut
- EPS – Electronic positioning system (both axes)
- VSA – Scoring saw unit
- WSG – Angle cutting unit
- NVV – Grooving accessory for composite panels and adjustable grooving tool
- "High-End" support grids
- Document holder
- SSD – Saw motor with infinitely variable speed
- Saw motor with 2 speeds
- Special voltage
- Tropical insulation



CONTROL



EVOLUTION



STANDARD



COMPACT

Convincing: Dimensions and data of the CONTROL

It's simply the premium class: fully-automatic sawing operation, maximum precision during the finish cut, "touch & saw" - the easiest operation of a vertical panel saw, highest comfort and a comprehensive range of accessories.

CONTROL – the vertical panel cutting center.

CONTROL								
Type	Dimensions in mm					Cutting range		
	L	H*	H**	T1*	T2*	L	Hvert	Hhor
6224	6620	3035	3018	1741	1361	5300	2240	2100
6216	6620	2951	2934	1700	1354	5300	2160	2016
6168	6620	2477	2460	1500	1312	5300	1680	1540
5224	5620	3035	3018	1741	1361	4300	2240	2100
5216	5620	2951	2934	1700	1354	4300	2160	2016
5168	5620	2477	2460	1500	1312	4300	1680	1540
4224	4620	3035	3018	1741	1361	3300	2240	2100
5224	4620	2951	2934	1700	1354	3300	2160	2016
4168	4620	2477	2460	1500	1312	3300	1680	1540
CONTROL								
Total weight	approx. 1,200 kg		Saw blade speed		4,800 rpm			
Cutting depth	80mm		2 extraction connectors		Ø 100mm			
Saw motor performance	5.5 kW		Compressed air connection		6-10 bar			
Saw blade diameter	300mm		Connection value		7,5 kW			
Saw blade bore	30mm*1		Mains connection		3 x 400 V/50 Hz			
Special voltages and special frequencies upon request								



CONTROL – Premium Class
Vertical Cutting Center

H* – with EPS.Y · H** – without EPS.Y · T1* – free-standing machines
T2* – wall-mounted machines · *1 with 2 auxiliary holes Ø 9mm, 60mm pcd

Consultation · Sales · Service



SWISS LABEL underlines the Swiss origin and quality awareness of Swiss goods and services. STRIEBIG AG is authorized to use this trademark.



Colonial Saw Company
P.O. Box A
Kingston, MA 02364
Tel. 781-585-4364
Fax 781-585-9375
www.csaw.com
info@csaw.com