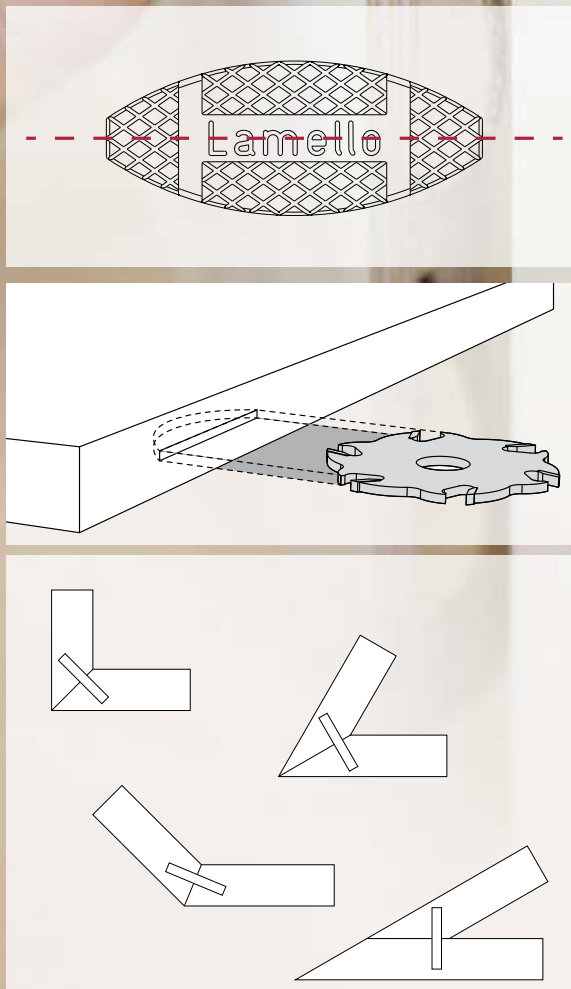


## The most efficient system to join panels



### Lateral tolerance

- Easy positioning of the machine to the pencil mark
- No need for additional side stops and positioning aids
- Great flexibility when assembling by sliding in two directions simultaneously (see large picture)

### Same groove depth on both pieces

- Save time with every joint
- No changing of the depth means lower risk of errors

### Well-proven cutting technology

- No tool change for 13 joining elements
- High precision even with high working speed
- Impossible for the tool to deflect
- Precise and clean groove even without suction
- Low maintenance cost and long machine life
- Only one tool to maintain, sharpen or replace

### Thin joining element with low installation depth

- Ideal to join thin materials 8mm or 10mm at any angle
- Elements can't twist
- Low-cost joining elements
- Thin slot means minimal weakening of the material

## Classic X



### Kit contains

Machine with | carbide tipped cutter | suction stub | stop square | spacer 4 mm | set of tools | manual | wooden case, systainer or carton

### Technical data

Power: 780W  
 Voltage: 230V or 120V  
 Speed: 10'000min<sup>-1</sup>  
 Cutter: Carbide tipped cutter  
 100 x 4 x 22 mm  
 Teeth: Z6 (3+3) with reversing teeth  
 Cutting depth max: 20 mm  
 Weight: 3.0 kg

### Classic X

in wooden case ..... **101600**  
 in systainer ..... **101600S**  
 in carton ..... **101600K**

### Art. No.

### Guaranteed supply

**10 years on spare parts and accessories**

### Applications

glued connections | detachable furniture connections | shop fittings | interior fittings | trade shows | cutting expansion gaps | wood repairs | tongue and groove connections for floors and room dividers

### Accessories



**Art. No. 132106**  
**Carbide tipped groove cutter**  
 Ø 100 x 4 x 22 mm, Z6 alternating teeth, without hub, with spacer, standard cutter



**Art. No. 132009**  
**Carbide tipped groove cutter**  
 Ø 78 x 3 x 22 mm, Z4, 4 Screw holes, with hub for biscuit H9



**Art. No. 132108**  
**Carbide tipped groove cutter**  
 with reversible blades Ø 100 x 8 x 22 mm, Z4 + V4, 4 screw holes, for ClamexS-18 connector



**Art. No. 125240**  
**Drill jig 30° - 150°**  
 (60 mm) incl. drill, for ClamexS-18 connector



**Art. No. 175500**  
**Glue applicator Minicol**  
 The all purpose glue applicator with a sturdy bottle base in solid wood  
 Mod. KS with plastic nozzle



**Art. No. 132217**  
**Carbide tipped cutters**  
 Ø 100 x 8 x 22 mm, Z4, 4 screw holes, for Minislot patches size 2



**Art. No. 132350**  
**Carbide tipped saw blades**  
 Ø 100 x 2.4 x 22 mm, Z20, 4 screw holes, 2 spacers, for expansion gaps



**Art. No. 251057**  
**Slide shoe**  
 to protect the wall and the machine



**Art. No. 121280**  
**Edge trimming unit Nova**  
 For trimming of projecting wooden and plastic edges 18 mm



**Art. No. 175021**  
**Clamping set 20 cm**  
 Even pressure distribution guarantees correct angle of workpiece  
 1 piece of clamps | 8 m belt | 4 pieces profile sections 20 cm



Manufacturer:

**Lamello AG**  
**Verbindungstechnik**  
 Hauptstrasse 149  
 CH-4416 Bubendorf  
 Tel. +41 61 935 36 36  
 Fax +41 61 935 36 06  
 info@lamello.com  
 www.lamello.com



# Classic X

## Well-proven, fast and versatile in every application

The perfect joining system for easy, fast and precise connections

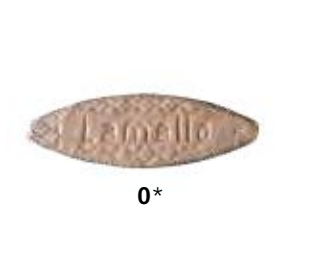


# Versatile application with 15 joining elements ...

No tool change for 13\* different joining elements

**Original wooden biscuits**



20\*      10\*      0\*

**The large wooden Lamello biscuits S6\***




**Duplex\***  
Furniture hinge



**The small wooden Lamello biscuits H9**




Carbide tipped cutter 3 mm

**Clamex S-18**  
Detachable connector with screw insertion



Cutter 8 mm

**E20-L\***  
Self-clamping element




**Simplex\***  
Slide-in connector to be glued with PUR glue



**E20-H\***  
Self-clamping element




**Fast\***  
Detachable clip-in connector with self-cutting edges



**K20\***  
Clamping element




**Metal\***  
Detachable slide-in connector with screw insertion



**C20\***  
Solid surface element




**Champ\***  
Slide-in connector to be glued with PUR glue



# and 4 additional applications

**Cut grooves**  
Cut grooves for tongue and groove connections




Standard carbide-tipped groove cutter 4 mm

**Cut expansion gaps**  
Expansion gaps for wood ceilings or floors




Sliding shoe and carbide-tipped saw blade

**Wood repairs**  
Repairing of resin pockets and small defects



Carbide tipped cutter for Minispot patches size 2

**Trimming**  
Trimming of solid wood or plastic edges



Edge trimming unit Nova and carbide-tipped saw blade



**New motor powerful 780W ergonomic shape**

**New baseplate**

# Fast and economic

Multifunctional stop square included in the kit

**Both sides flush surfaces** on baseplate, swivelling front and stop square for efficient positioning of the biscuit joiner on the work piece's outer edge

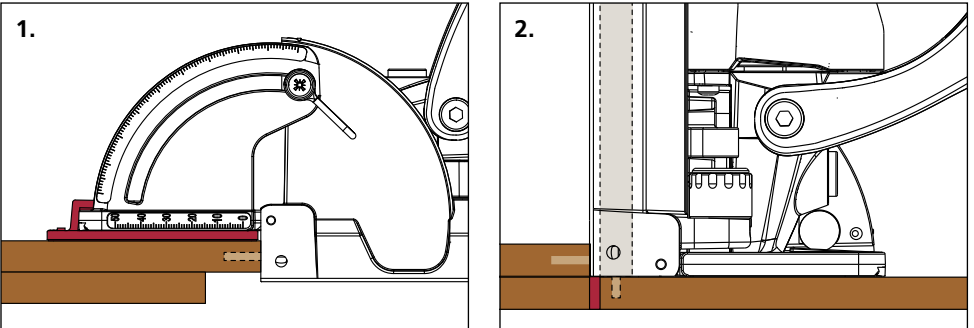


**Vertical stability** by attaching to the baseplate to increase the surface  
**Perfect precision of mitres** by applying on the outer surface for 22.5 and 45° angles  
**Variable positioning of the groove** from the application surface 0–50 mm

Swivelling front with fixed rotational point

**Exactly the same distance from both sides to the cutter = 8 mm**

Allows alternating the application surface from the swivelling front 1. to the baseplate 2., especially important when cutting thin dividing panel connections



**Application with the swivelling front**  
With the 4 mm spacer for 12 mm dividing panel (groove in the center)

**Application with the baseplate**  
The dividing panel (moved by 4 mm) serves as application surface



– **Safe process** guarantees always precise, parallel grooves  
 – **No inaccuracies or source of mistakes** because the height cannot be adjusted

High-precision machined application surfaces



– **CNC machined high-precision application surfaces** for exact application on the work piece  
 – **Long-life precision guide** provides exact, parallel grooves for perfect fit of the work pieces