

RAZORGAGE

AUTOMATIC OPTIMIZING SAW SYSTEMS

APS - AUTO PUSHER AUTOMATIC OPTIMIZING SAW

BETTER BY DESIGN



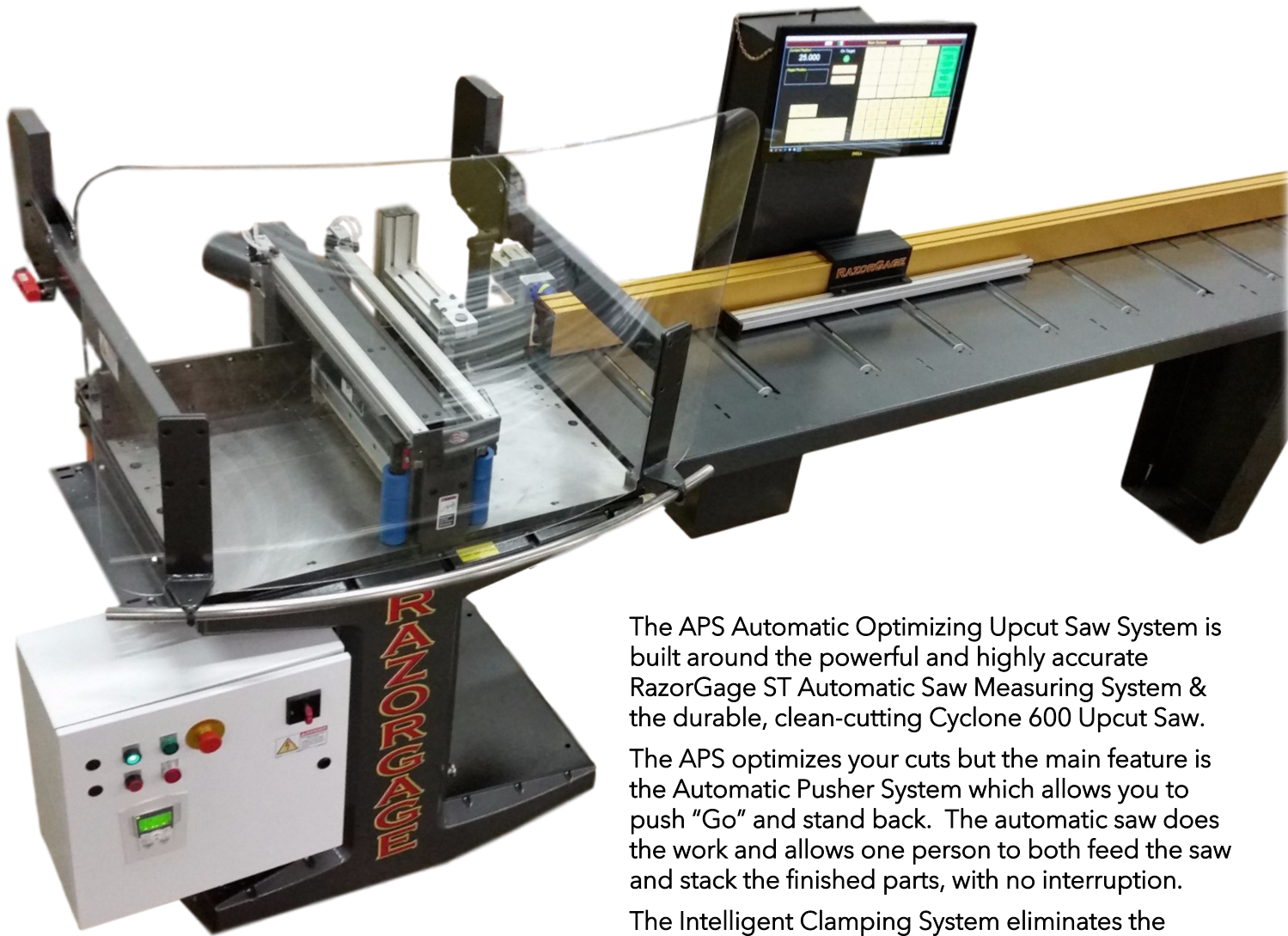
Our optimizing saw systems are built to provide durable, easy-to-operate cutting systems that are powerful, safe and can improve operating efficiencies while reducing waste



WWW.RAZORGAGE.COM
515.232.3188 • Sales@RazorGage.com

APS Auto-Pusher System

Automatic Optimizing Saw Systems



The APS Automatic Optimizing Upcut Saw System is built around the powerful and highly accurate RazorGage ST Automatic Saw Measuring System & the durable, clean-cutting Cyclone 600 Upcut Saw.

The APS optimizes your cuts but the main feature is the Automatic Pusher System which allows you to push "Go" and stand back. The automatic saw does the work and allows one person to both feed the saw and stack the finished parts, with no interruption.

The Intelligent Clamping System eliminates the dangerous condition caused by half clamping the

leading or trailing edge of your material, which leads to scrapped parts. The accuracy and efficiency of the cutting process eliminates mistakes which further optimizes the production flow to minimize the time required to complete the job.

Great for cutting Wood, Aluminum or nearly any non-ferrous metal. Aluminum cutting option includes aluminum cutting blade and left and right mist blade lubrication.

FEATURES

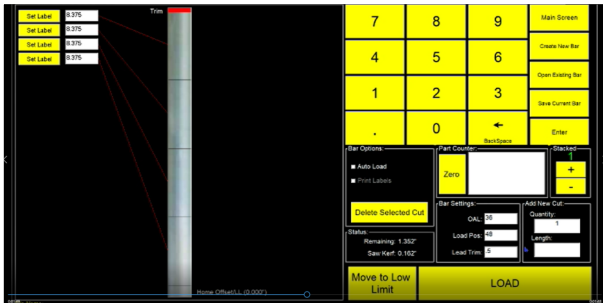
- ◆ Download cutlists directly to the RazorGage PC via Ethernet, USB drive or Wifi
- ◆ Optimize at the machine or run pre-optimized lists from your design software
- ◆ Sort cutlists into almost unlimited groups of like material, color, job & more, right at the machine
- ◆ Part length accuracy varies with application but +/- .005" is possible
- ◆ Push 200 lb at 10"/sec or lighter loads at up to 55"/sec
- ◆ Print paper labels or inkjet print directly on the parts
- ◆ Table surface options include solid PVC, PVC rollers or steel rollers
- ◆ Windows Tower PC operation on a large, color touch-screen monitor
- ◆ Optional articulated pusher mounted gripper

APS Auto-Pusher System *Better Software*

The automated saw software on this optimizing industrial upcut saw system gives you the ability to download your cutlists and use multiple criteria to sort lists into hundreds of groups. Our RazorGage software is flexible, allowing you to import

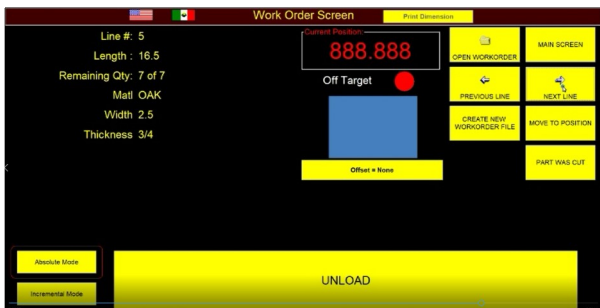
pre-made lists or edit and create cutlists right at the saw. Our software solutions are designed to be intuitive and able to adapt to all types of projects and applications.

In addition to optimizing, the powerful yet intuitive RazorGage software offers several customized screens for various processing needs



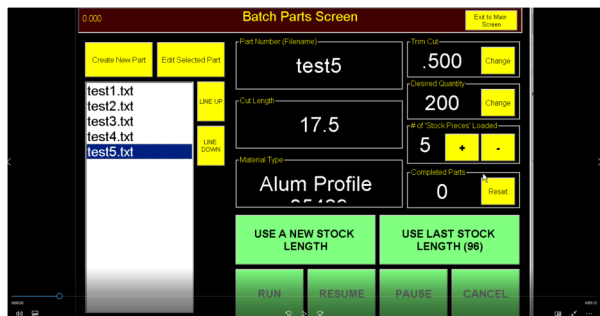
AUTOPUSHER SCREEN

This screen enables users to define a cut pattern for a given stock length, save it and run it whenever it's needed. The auto feed saw software can store thousands of predefined cut patterns and cutlists.



WORK ORDER SCREEN

In the Work Order section, users can create cutlists either locally or on another device and transfer via USB, Ethernet, Wi-Fi or Bluetooth. You could even create a cutlist on your phone and email it to the RazorGage.

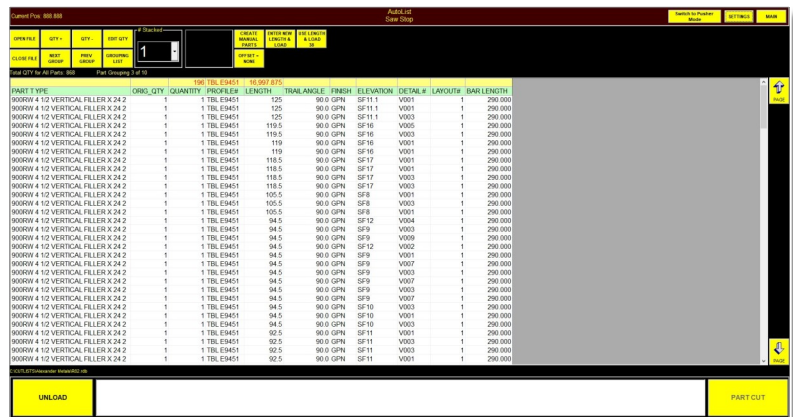


BATCH SCREEN

The Batch Screen is good for running many parts of equal length. Store part numbers containing length and material, select your desired cut length and run the job. Indicate a bundle quantity at run time, and the parts counter will increment accordingly

AUTOLIST SCREEN

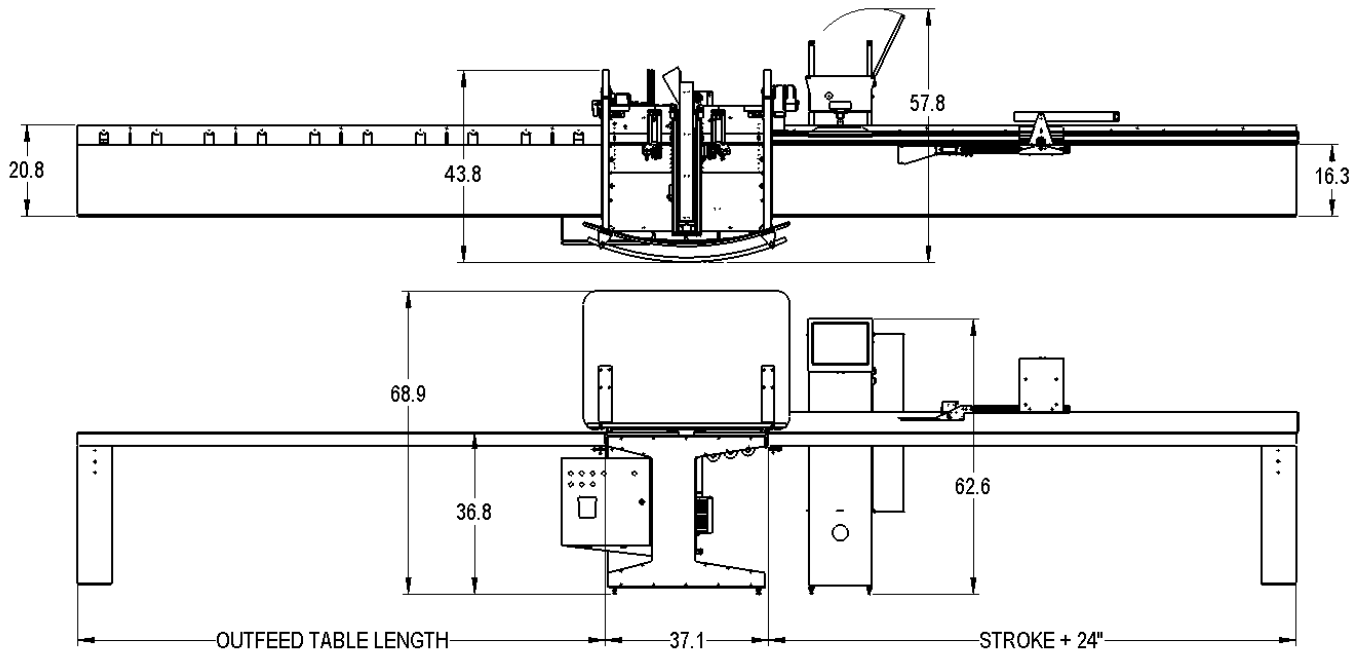
The popular & powerful AUTOLIST Screen calculates optimal cutting solutions to maximize yield on your valuable material. Multiply the bill of materials quantities by a different factor each time you open. Cutlists can be mapped to accommodate up to 28 columns in any order and sort that list by multiple criteria. As a stop, just touch a line item and the RazorGage moves to position. Pressing the PART CUT button decrements quantity. Items are crossed off when the quantity reaches zero. Enter available clear length for an optimized solution. Switch between pusher & stop any time. Include the Tool Safe Sensor to automate the operation!



APS Auto-Pusher System *Specifications*

Saw Motor Specs	7.5 hp (enclosed fan cooled) available in 208-230-460Vac 3-phase
Power Requirement	10 Amps 120 VAC plus one of the following: 230 VAC, 3 phase, 30 Amps OR 460 VAC, 3 phase, 20 Amps
Dust Collection Ports	Two 4" diameter (102 mm) requiring 600 cfm (17 m ³) minimum for dry light materials. Other material may need higher velocity/pressure
Compressed Air	Requires 80 psi (5.5 bar) at 5 cfm (0.14 m ³) air filtered to 2.5 microns (oil and moisture free). Use industrial air dryer, rated for cfm (CM) flow. No lubrication required for air components. Air must be lubricant free.
Motor RPM	Variable from 2200 to 3450
Arbor	1.000 inch
500 mm Blade for Wood	500mm x 120T x 1" Bore x 23°ATB/5°ASF x Plate .128 x Kerf .172
500mm Blade for Aluminum	O/D 500mm or 19.68" x Kerf 3.5mm or .137" x Plate 3.0mm or .118" x Bore 25.4mm or 1.00" x Teeth 140 D Type Tip Grade Sash Pro X Expansion Slots Five.
24" Blade for Wood	24" Dia. x 144T x 1" Bore x 23°ATB/5°ASF x Hook 22° Plate.138 x Kerf.186
24" Blade for Aluminum	24" Dia. x 200 Teeth x 1" Bore x TCG x Hook 6° Plate.138 x Kerf.174
Push Force	200 lb at 10 inches per second
Maximum Push Speed	50 Inches per Second
Stock Length Capacity	Up to 60 feet

Material Thickness	Cyclone 600 Width Capacity for Common Blade Diameters					
	14" Blade	16" Blade	18" Blade	500mm Blade	22" Blade	24" Blade
0.5	6.97	10.38	13.23	15.42	18.27	20.62
0.75	6.04	9.77	12.76	15.02	17.93	20.32
1	4.89	9.10	12.25	14.59	17.57	20.00
1.25	3.32	8.35	11.70	14.13	17.19	19.67
1.5		7.49	11.10	13.64	16.79	19.32
1.75		6.49	10.44	13.11	16.36	18.95
2		5.25	9.72	12.54	15.90	18.55
2.25		3.56	8.91	11.92	15.42	18.14
2.5			7.98	11.24	14.90	17.70
2.75			6.90	10.50	14.35	17.24
3			5.58	9.68	13.75	16.74
3.25			3.78	8.75	13.11	16.22
3.5				7.68	12.42	15.67
3.75				6.40	11.67	15.08
4				4.75	10.84	14.45
4.25				1.99	9.92	13.77
4.5					8.88	13.03
4.75					7.68	12.24
5					6.20	11.37
5.25					4.20	10.40
5.5						9.30
5.75						8.03
6						6.49



System Options & Accessories

- ◆ Ink Jet Printer
- ◆ Label Printer & Stand
- ◆ Basic or Gang Stop Extension
- ◆ Standard or Heavy Duty Gripper
- ◆ Rolling Pin Canted Roller
- ◆ Tables – Heavy Gauge, Powder Coated Steel
 - 34.5" to 44.5" in height (*adjustable*)
 - Surfaces – 1/4" Solid PVC, PVC Rollers, Steel Rollers



RazorGage - Technical Services, Inc. - 57006 241st Street, Ames, IA 50010 - P(515) 232-3188

For detailed information, videos, & manuals, visit www.razorgage.com