

Lamello



Classic X cordless



Zeta P2 cordless



Joining with cordless freedom

Joining with cordless freedom

The Classic X and Zeta P2 biscuit joiners are now available as battery-powered versions for cordless freedom and even faster joining



Advantages

- **Full mobility** in the workshop or on-site
- Quick joining with the **ready-to-use** cordless power tool
- **Overhead work** without a bulky suction hose which gets caught on an edge
- **No tripping hazards** during daily use



Join furniture
in the workshop

1



Cut grooves on
components on site

2



Attach furniture
to components on site

3



More flexible in the workshop

The ready-to-hand battery-powered biscuit joiner ensures greater efficiency and flexibility in the workshop.



- No tangling of the cable or the suction hose when machining large workpieces
- Cutting directly on the workpiece reduces the handling of bulky parts. There is also no need to disconnect and plug in the cable

- Quick production of furniture with different angles without complicated programming on the CNC
- Create prototypes without time-consuming machine setup. Unrestricted design freedom thanks to the wide variety of joining elements

- The cordless power tool can be used to easily adapt or add grooves in no time
- Corner connections are quickly and precisely cut directly at the work bench

Large workpieces



Exclusive individual pieces



Adapting furniture



Mobile working on the construction site

The cordless biscuit joiner makes work on the construction site much easier – there is no need to search for sockets and roll out the cable reel.

Fitted panels



- Easily and flexibly cut grooves in fitted panels on site, even if the furniture has been completely machined on the CNC
- Additional grooves on the longitudinal joint for fillers or pillar cladding are created extremely efficiently after fitting

Roof window casing



- For renovation work, the grooves are only cut directly on site after fitting
- Cable-free work facilitates handling overhead and in hard-to-reach niches

Terrace floors



- Join components outdoors without access to a power connection
- No walkways between the processing site and the installation site, and no additional handling of the cable reel



High performance without cable

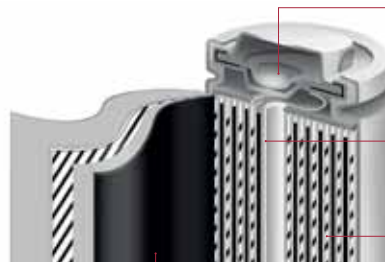
LiHD battery pack



LiHD: The world's most powerful battery system in the industry

A unique interplay of:

- Intelligent battery management for long-lasting high capacity
- Patented AIR-COOLED system for short charging times with hot batteries
- High-quality cell structure with 50-percent reduced internal resistance ensures full Zeta power even with a small battery pack



Connection cap made of 50-percent thicker material for good thermal dissipation

Multiple power connectors for internal wiring provide continuously high power output

Reinforced current collectors for low heat losses

More active material in reactive surface for high capacity in a compact size

Ludwig Bauer, Teamleader Product Management



«With the lightweight, powerful 18 V LiHD 4.0 Ah battery pack, the Zeta P2 cordless is ideally equipped to cut longitudinal grooves for the Divario P-18 – even in solid wood.»



Powerful 18 V LiHD battery pack either as 4.0 Ah or 5.5 Ah

18 V LiHD 4.0 Ah

- Included as standard battery in the set
- Compact, lightweight and powerful
- Suitable for all applications
- 60–160 cuts. Divario grooves are also possible



18 V LiHD 5.5 Ah

- Available as accessory
- Additional endurance and 115 up to 255 cuts



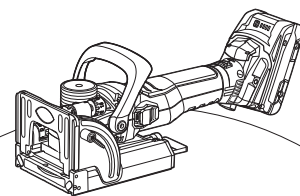
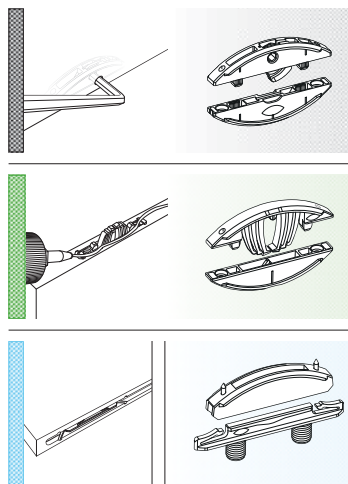
Systems

- P-System
- Lamello System

At a glance

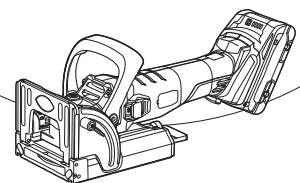
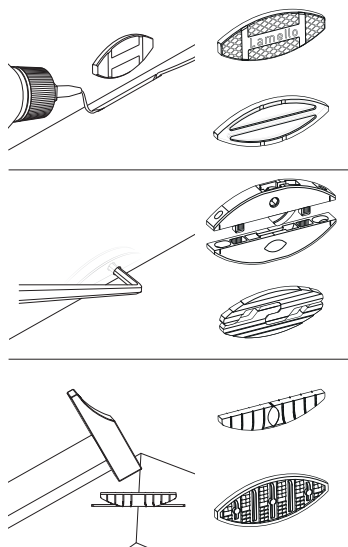
Systems	Connector	Machines
		Power tool

P-System



Zeta P2
Biscuit joiner

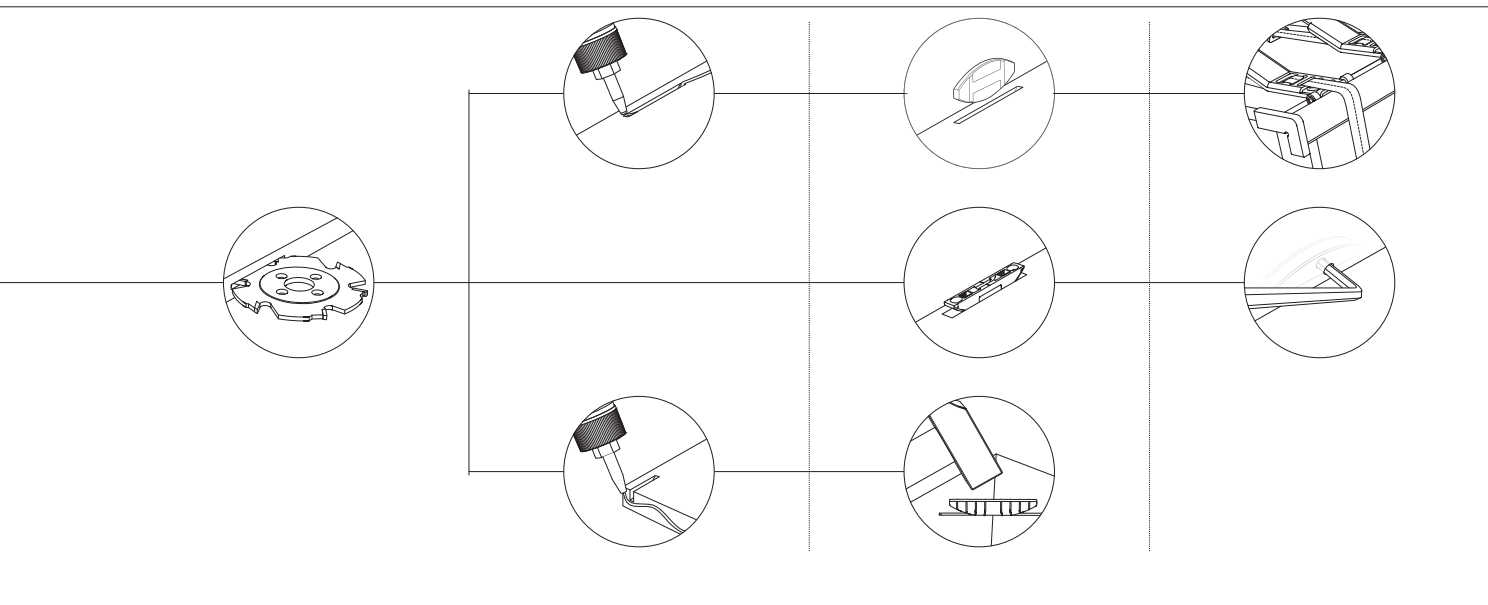
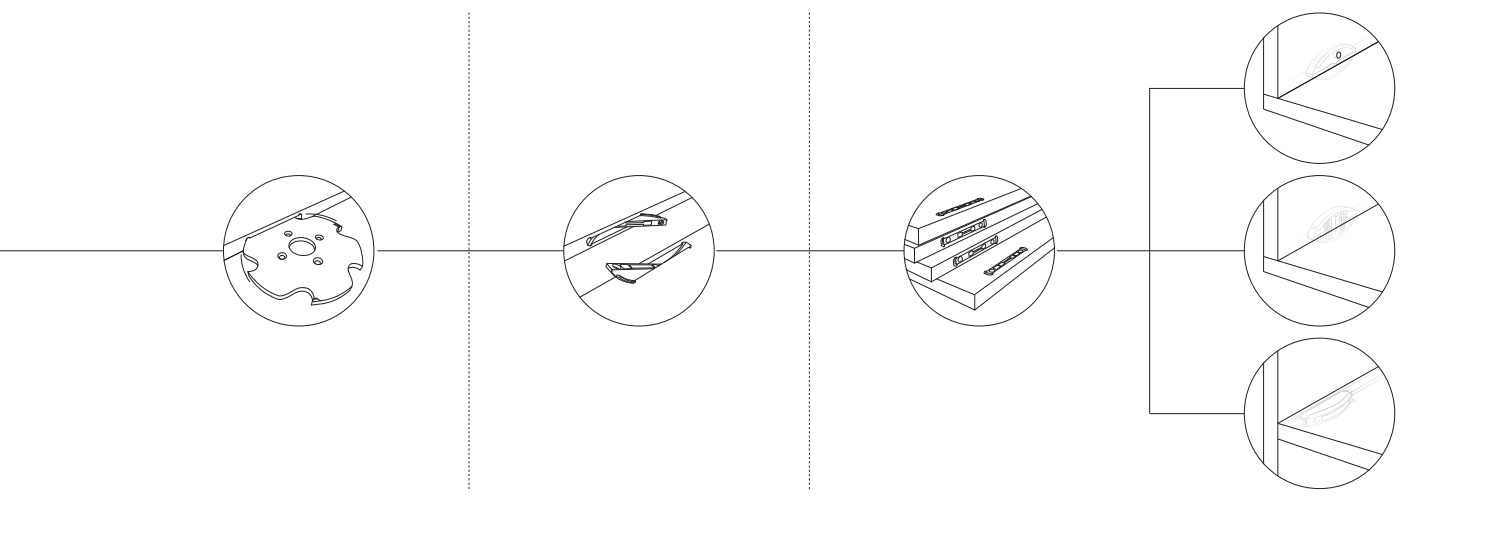
Lamello System



Classic X
Biscuit joiner

Sequence

1 Cut	2 Insert the connector	3 Deliver flat pack	4 Connect the workpieces
----------	---------------------------	------------------------	-----------------------------


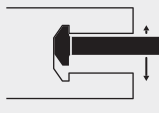



1 Cut	2 Apply glue	3 Insert the connector	4 Clamp
----------	-----------------	---------------------------	------------

Zeta P2 cordless

The powerful P-System biscuit joiner for cordless freedom

Features

 <p>Fast connection</p>	 <p>Automatic vertical movement</p>	 <p>Cordless freedom</p>
---	---	--

The Zeta P2 cordless is the battery-powered biscuit joiner for even faster joining, suitable for use with P-System connectors. It is used to create the form-locking P-System groove within seconds, and is even more flexible to use due to its cordless freedom. The integrated vertical mechanical drive is automatically triggered at the maximum cutting depth and performs a lateral cutter movement for the P-System groove. Connectors with various functions and different sizes can now be inserted into the form-locking P-System groove without the need for any tools.



Articles



Zeta P2 cordless biscuit joiner, DP (diamond) Art. No.

In systainer, incl. 2 batteries and charger **101801SD**

In systainer, without batteries, without charger **101800SD**

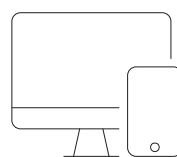


Kit contains

Zeta P2 cordless biscuit joiner, DP, 2 × battery pack 18 V, LiHD 4.0 Ah*, battery charger ASC 55*, P-System drill jig incl. drill, suction stub 36 mm, spacer 2 and 4 mm, dust bag, tool set, stop square

* Only included in art. No. 101801SD

www.lamello

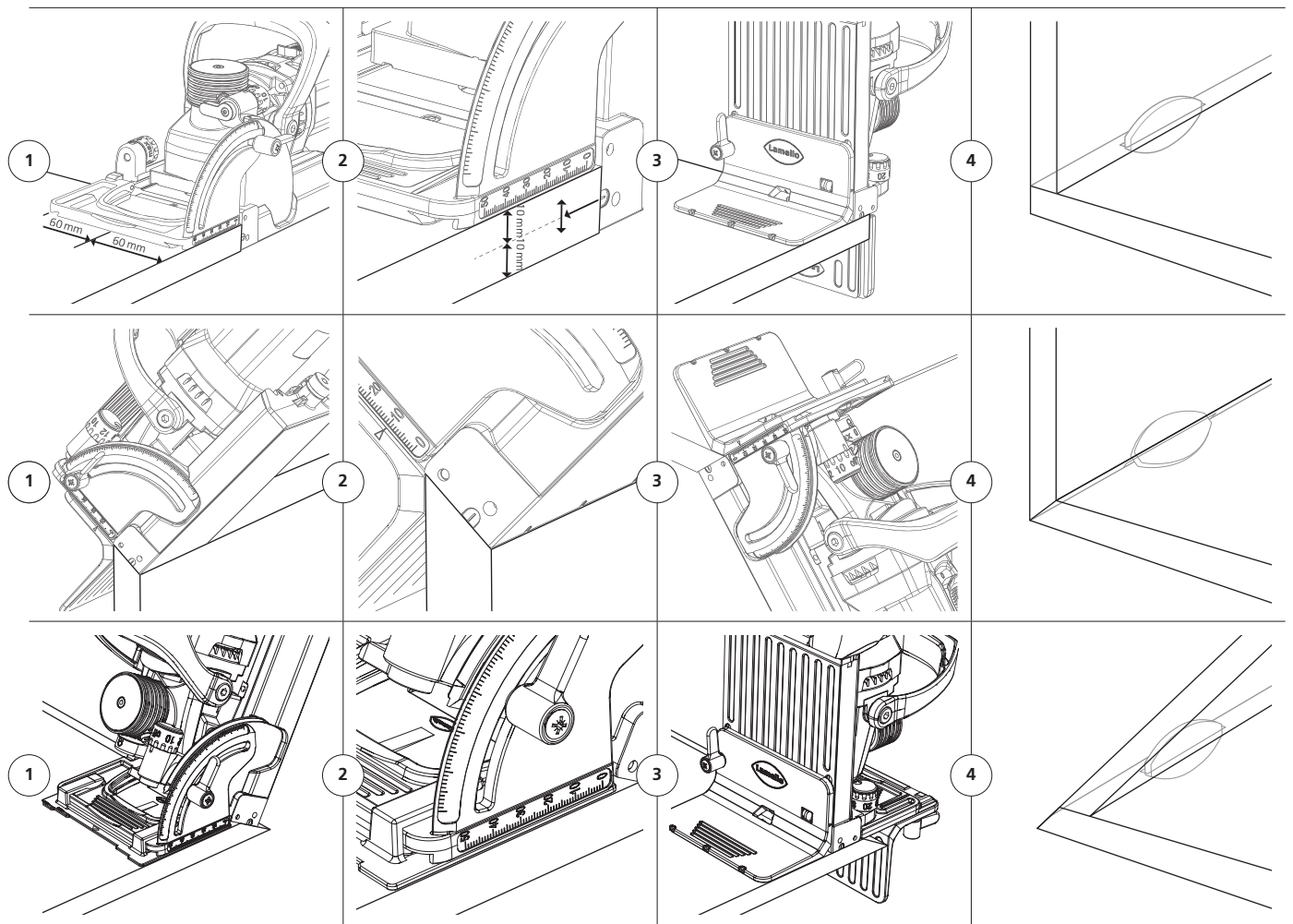


Experience Zeta P2 cordless live and receive comprehensive product information!





Function

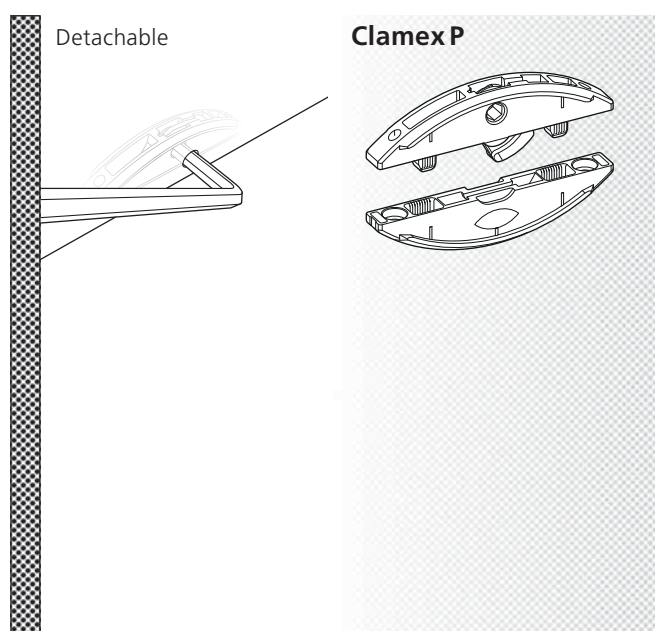


Technical data

Battery voltage	18 V	Groove width	7/10 mm
Speed	9 000 min ⁻¹	Groove depth max.	20 mm
Cutter	Ø 100 × 7 × 22 mm	Weight	3.7 kg incl. battery

Overview of connectors

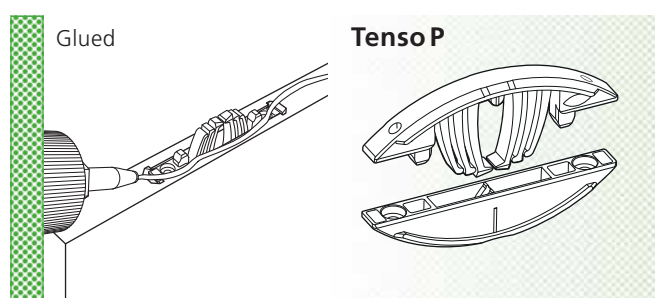
P-System



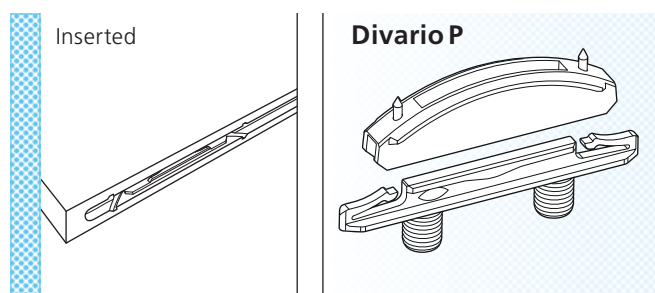
Clamex P-14	Pairs	Art. No.
	80	145334
	300	145346
	1000	145356



Clamex P-14/10 Flexus	Pairs	Art. No.
	80	145315
	300	145316
	1000	145317



Tenso P-14	Pairs	Art. No.
	80	145415
	300	145425
	1000	145435




Divario P-18	Pairs	Art. No.
	80	145550
	300	145560
	1000	145570







Clamex P-14/10 Medius

	Pairs	Art. No.
	80	145370
	300	145371
	1000	145357


Clamex P-10

	Pairs	Art. No.
	80	145372
	300	145373
	1000	145374


Bisco P-14

	Pieces	Art. No.
	80	145301
	300	145302
	1000	145303


Bisco P-10

	Pieces	Art. No.
	80	145304
	300	145305

**Tenso P-14
preload clip**

	Pieces	Art. No.
	300	145426
	1000	145436

Tenso P-10

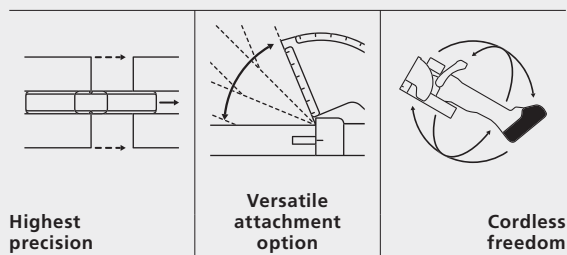
	Pairs	Art. No.
	80	145418
	300	145428
	1000	145438

Classic X cordless

The original biscuit joiner – precise and cordless



Features



Highest precision

Versatile attachment option

Cordless freedom

Classic X cordless is the original, battery-powered biscuit joiner from the inventor of the Lamello system for cutting the 4 mm groove. The proven and well-designed Classic X cordless is fast and versatile in its use and the basis for the wide range of connectors with fixed, self-clamping and detachable solutions. Precision in every component leads to perfect accuracy of the workpieces, and the cordless freedom means even more flexible application. The multifunctional stop square allows perfect mitres by applying on the exterior surface and stabilises the machine in vertical position.

Articles



Classic X cordless biscuit joiner

Art. No.

In systainer, incl. 2 batteries and charger **101701S**

In systainer, without batteries, without charger **101700S**

In carton, without batteries, without charger **101700K**

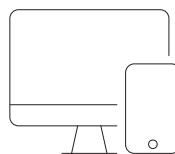


Kit contains

Classic X cordless biscuit joiner, 2 x battery pack 18 V, LiHD 4.0 Ah*, battery charger ASC 55*, suction stub 36 mm, stop square, spacer 4 mm, dust bag, tool set

* Only included in art. No. 101701S

www.lamello

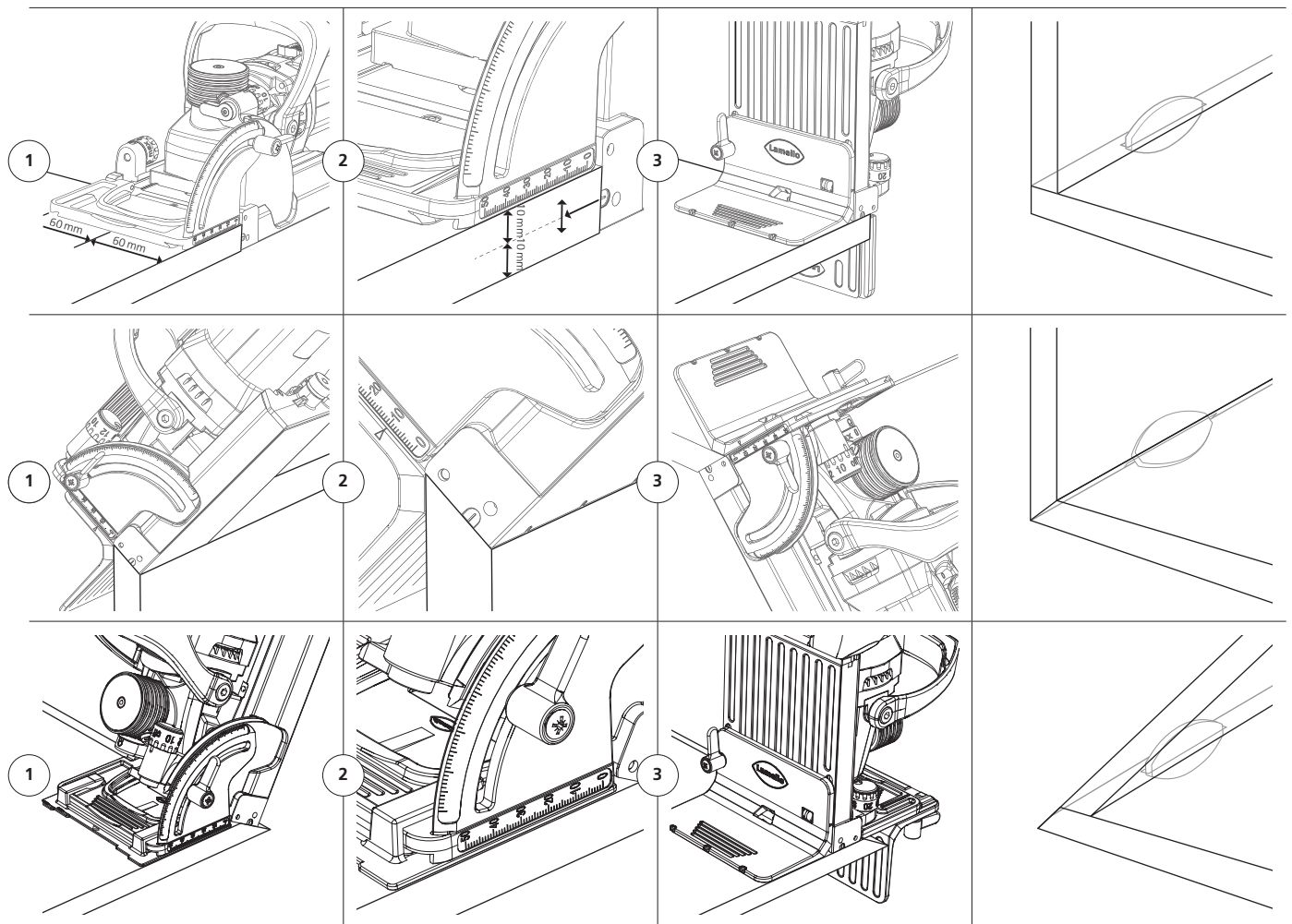


Experience Classic X cordless live and receive comprehensive product information!





Function



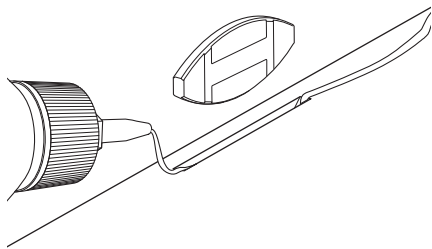
Technical data

Battery voltage	18 V	Groove width	4 mm
Speed	7 300 min ⁻¹	Groove depth max.	20 mm
Cutter	Ø 100 × 4 × 22 mm	Weight	3.1 kg incl. battery

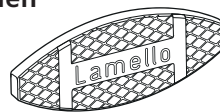
Overview of connectors Lamello System



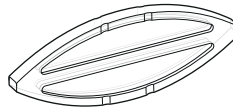
Glued



Original wooden biscuit



C20



20



Pieces

Art. No.

1000

144020

C20



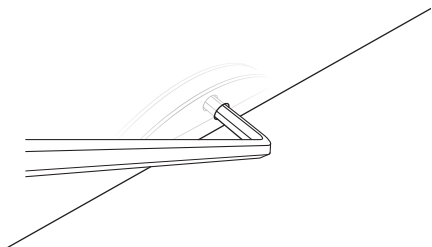
Pieces

Art. No.

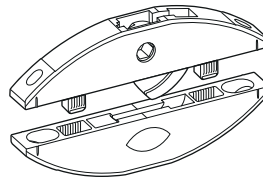
250

145010

Detachable



Clamex S-18



Clamex S-18



Pairs

Art. No.

18

145231

80

145236

300

145241

1000

145251

Simplex



Simplex



Pairs

Art. No.

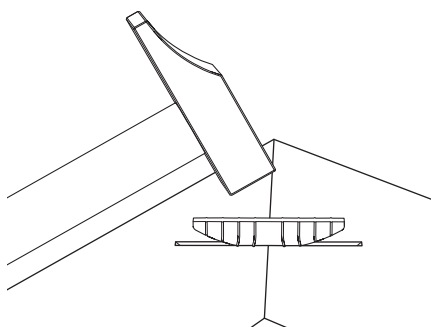
50

166101

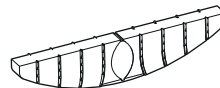
100

166100

Hammered



E20



E20-H



Pieces

Art. No.

80

145021

400

145026

1200

145028

K20



K20



Pieces

Art. No.

80


145001


250


145000




10	Pieces	Art. No.
	1000	144010

0	Pieces	Art. No.
	1000	144000

H9	Pieces	Art. No.
	1000	144009

C10	Pieces	Art. No.
	300	145012

E20-L	Pieces	Art. No.
	80	145022
	400	145025
	1200	145027



Accessories / Spare Parts

P-System/Lamello System

Batteries



Art. No.

Battery pack 18 V, LiHD 4.0 Ah

313013



Art. No.

Battery pack 18 V, LiHD 5.5 Ah

313015



Art. No.

Battery charger ASC 55

123100

Combination CNC and Zeta P2



Positioning pin CNC for Zeta P2,

2 pieces

Art. No.

Ø 5 mm

251048

Ø 8 mm

251066



Positioning clip CNC for Zeta P2

Art. No.

Ø 6 mm

251067

for positioning in the Clamex P access hole (6 mm)

Zeta P2



P-System groove cutter DP (diamond),

Ø 100.4 × 7 × Ø 22 mm

Art. No.

Z3, 4 NL for Zeta P2

132140



P-System groove cutter HW (carbide),

Ø 100.9 × 7 × Ø 22 mm

Art. No.

Z3, 4 NL for Zeta P2

132141

Zeta P2/Classic X



Stop square for

Zeta P2, Top 21, Classic X

Art. No.

For stabilising the biscuit joiner in the vertical position, ideal for obtuse mitre joints

251044



Spacer for Zeta P2, Top 21, Classic X

Art. No.

5 mm, aluminium for 18 mm panels

253027

2 mm, plastic for 16 mm panels

253023

4 mm, plastic for mitres

253026



Groove cutter HW (carbide),

Ø 100 × 4 × Ø 22 mm

Art. No.

Z2 + V4 scoring teeth, 4 screw holes, hub

132000

for Zeta P2/Top 21/Classic X



Art. No.

Z6 alternating teeth, without hub, with spacer

132106

for Classic X



Groove cutter HW (carbide),

Ø 78 × 3 × Ø 22 mm

Art. No.

Z4, 4 Screw holes, with hub for original wooden

132009

biscuit H9 for Zeta P2/Top 21/Classic X



Groove cutter HW (carbide) with reversible blades,

Ø 100 × 4 × Ø 22 mm

Art. No.

Z2 + V2, 4 screw holes with hub

132001

for Zeta P2/Top 21/Classic X

Set of 4 pieces

132111

Countersunk screws

352408T

Allen key, 4 mm

271959L



Groove cutter HW (carbide) with reversible blades,

Ø 100 × 4 × Ø 22 mm

Art. No.

Z4 + V4, 4 screw holes without hub, with spacer

132130

for Zeta P2/Top 21/Classic X

Set of 10 pieces main teeth

132134

Set of 10 pieces scoring teeth

132135

Replacement set,

132133

4 scoring teeth + 4 main teeth

Screws

352130

Torx key

352133



Groove cutter HW (carbide) with reversible blades,

Ø 100 × 8 × Ø 22 mm (Clamex S-18 connector)

Art. No.

Z4 + V4, 4 screw holes

132108

for Top 20/Top 21/Classic X

Set of 10 pieces scoring teeth

132137

Set of 10 pieces main teeth

132136

Replacement set,

132114

4 scoring teeth + 4 main teeth



Manufacturer:
Lamello AG
Joining technology
Hauptstrasse 149
CH-4416 Bubendorf
Tel. +41 61 935 36 36
Fax +41 61 935 36 06
info@lamello.com
www.lamello.com