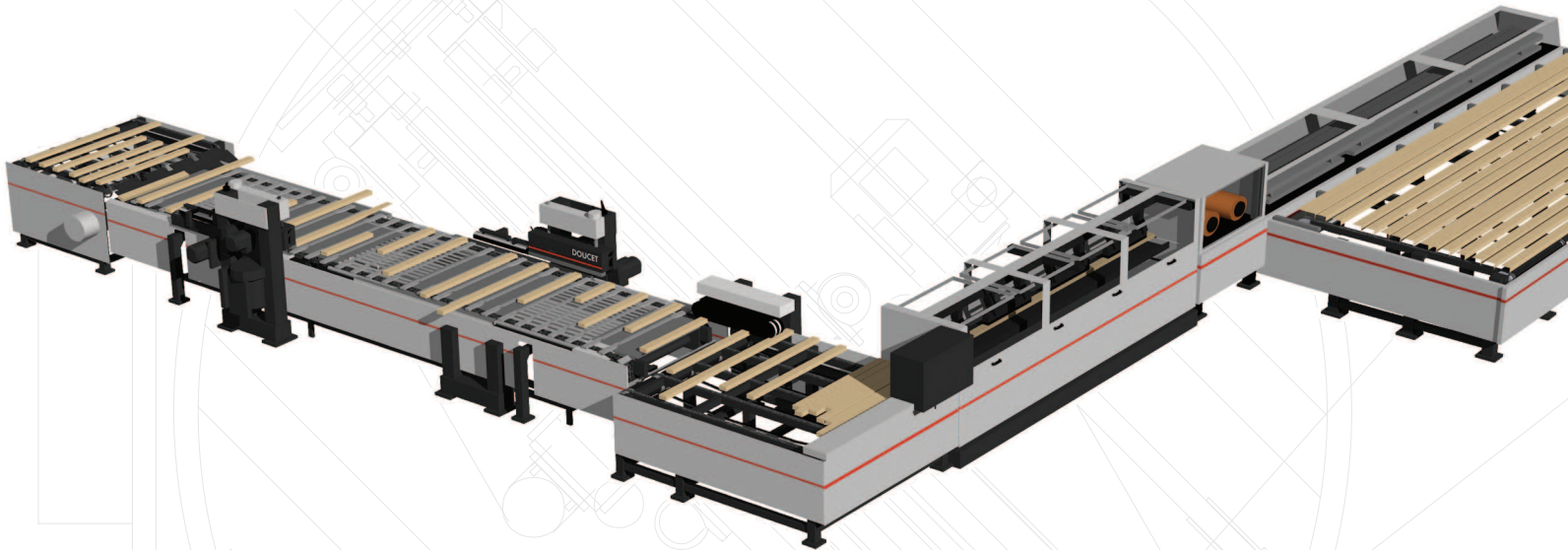


DJ-250

FINGERJOINTING LINE FOR LONG STOCK



FOR STUDS, I-BEAM FLANGES AND
EDGE LAMINATED / FINGERJOINTED
SOLID WOOD SECTIONS

DOUCET
PROCESS ENGINEERING
DIVISION

VALUE ADDED SOLUTIONS

FOR A COMPLEX WOOD INDUSTRY

DJ-250

FINGERJOINTING LINE FOR LONG STOCK

A Double End Fingerjointer for long stock – 12" to 60", with traverse bars on 9" or 12" centers, a semi-automatic lug loader, a fully automatic corner and an automatic assembly press capable of producing up to 250 linear feet per minute of studs, flanges and other fingerjointed solid wood sections.

THE DJ-250 AND LUG LOADER INCLUDE

- A Feed Conveyor 60 Inches Wide with Traverse Bars
- 5 HP Trim Saws
- 3 HP Scoring Saws
- 25 HP Cutterhead Spindles with Optional Variable Speed Drive
- High Precision Tenoner Chains
- In-Line Glue Applicator
- 20 HP Electric Motor with Variable Speed Drive

THE AUTOMATIC PRESS INCLUDES

- Broad Radius OFFSET CORRECTOR
- Basic ASSEMBLY PRESS Capacity up to 24 Feet, Expandable up to 40 Feet
- Up to 10 PRESS CYCLES per Minute
- 14 Inch CROSS-CUT SAW on 5 HP Motor, 3400 RPM
- All Stainless Steel CONTACT SURFACES
- ALL FOUR FACES HELD While Pressing
- GULL WING TOP for Easy Cleaning and Maintenance

THE FULLY AUTOMATIC CORNER INCLUDES

- Motorized Feed Wheels on Top and Bottom of Boards
- Automatic Traffic Control System

THE HIGH SPEED ASSEMBLY TUNNEL FEATURES

- FEED SPEED up to 500 Feet per Minute, Adjustable by a Flow Control Valve
- Flat Chain BOTTOM FEED CONVEYOR
- Double Flat Chain LATERAL FEED to Prevent Offset
- Top HOLD-DOWN
- Unimpaired ACCESS and VISIBILITY
- Pneumatic QUICK RELEASE FEATURE

PRODUCTION CAPACITY

- LUG SPEED
- OUTPUT

DJ-250 FINGERJOINTING LINE

Up to 100 Pieces per Minute
Up to 250 Feet per Minute

MATERIAL SPECIFICATIONS

- BLOCK LENGTH
- FINISHED LENGTH

DJ-250 FINGERJOINTING LINE

12 to 60 Inches
Up to 40 Feet

DISTRIBUTED BY:

DOUCET
PROCESS ENGINEERING
DIVISION

340, 6th Street, Daveluyville, Quebec, Canada G0Z 1C0
Phone: (819) 367-2633 • Fax: (819) 367-2100
Toll Free: 1-866-6RETURN (673-8876)
Email: info@doucetinc.com • www.doucetinc.com